

Your Tailor-Made Wire Belt

Wire Eyelet Belt ("OGB-Belt") - Groups 800/850



Group 800

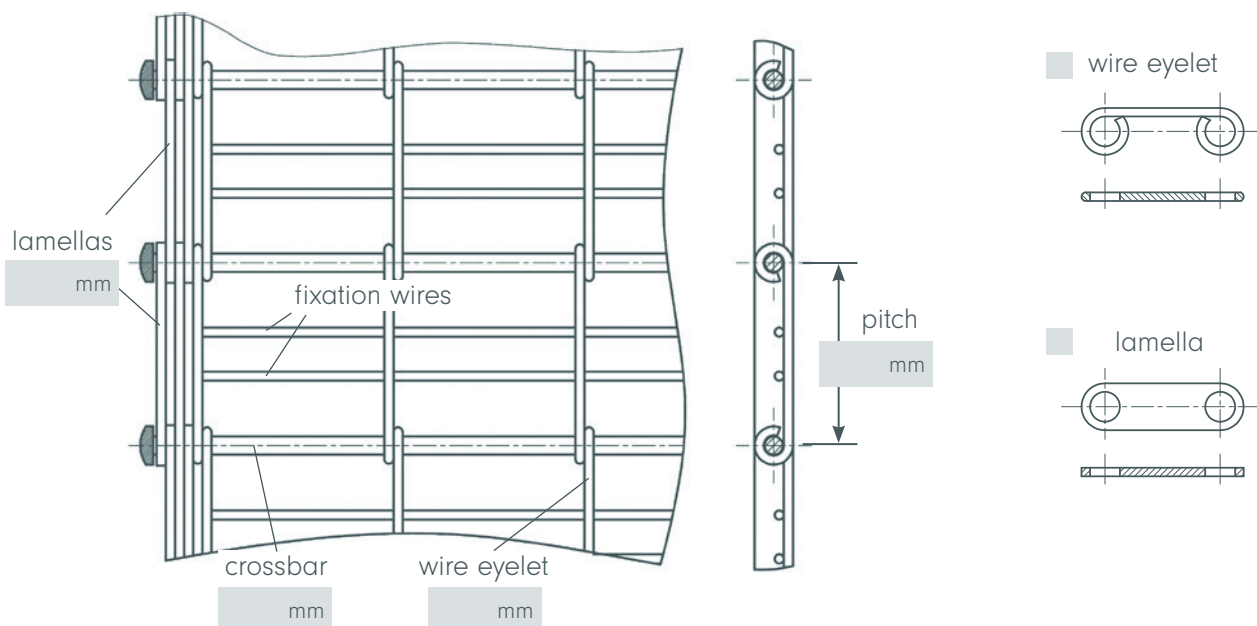


Group 850

features	double eyelets and crossbars made of round wires; dense design - eyelet (group 800); wider design with slot width to be stipulated by use of fixation wires (group 850)		
materials	<input type="checkbox"/> mild steel (plain or galvanized) <input type="checkbox"/> spring steel stainless grades: <input type="checkbox"/> 1.4016 (AISI 430) <input type="checkbox"/> 1.4301 (AISI 304) <input type="checkbox"/> 1.4401 (AISI 316) <input type="checkbox"/> 1.4841 (AISI 314) <input type="checkbox"/> 1.4864other steel grades on request	edge design	<input type="checkbox"/> K = edge welded, braved, riveted or bolted <input type="checkbox"/> R = trough edge
temperatures [°C]	-100 bis 1.200	max. width [mm]	6.000

dimensions group 800 [mm]		dimensions group 850 [mm]	
eyelet wire Ø	1,5 - 4,0	eyelet wire Ø	1,5 - 4,0
crossbar Ø	4,0 - 12,8	crossbar Ø	4,0 - 12,0
slot width	~ wire eyelet Ø	slot width	to be stipulated
pitch	19,05 - 150	pitch	19,05 - 150

For our complete range of supply please visit www.beltconfiguration.com



Your Tailor-Made Wire Belt

Should you still have questions we will help you with pleasure +49 (0)208 / 58 01 - 01

Business Card

Your contact details:

Email*	
First name*	
Last name*	
Company	
Projet title	
Street*	
Zip / town*	
Country*	
Phone*	

With * marked fiels are mandatory.

Comments:

Comments area with multiple horizontal lines for text input.

Send us this form

- per fax +49 208 / 58 01 - 501
- per mail gurt@steinhaus-gmbh.de
- per post STEINHAUS GmbH
Platanenallee 46
45478 Mülheim an der Ruhr
GERMANY